

# USERS

# MANUAL



**HW1**



**HW1P**



**HW1J**



Manufacturer.

HEARTWAY MEDICAL PRODUCTS CO., LTD.  
NO 6. Gongyequ 25<sup>th</sup>, Road. Nantun Dist.  
Taichung City 408, Taiwan ROC



The users need to consult the instructions of the device for information on how to use it properly.



Part no: 70030169

# TABLE OF CONTENTS

1. INTRODUCTION & SAFETY.....	3
2. SPECIFICATIONS.....	4
3. HEAD REST, ARM REST & PUSH HANDLE ADJUSTM.....	6
4. ELEVATING REST ADJUSTMEN.....	7
5. ATTENDANT & MANUAL BRAKE SYSTEM.....	8
6. MANUAL & POWER RECLINING & TILTING FUNCION.....	9
7. BATTERY CHARGING GUIDE.....	10
8. SPARE PARTS DRAWINGS.....	13
9. MAINTENANCE.....	15



**Warning! Do not, under any circumstance, climb a slope greater than the maximum climbing angle (3 degree) with this wheelchair. Any attempt to climb a slope steeper/greater than 3 degree may put your wheelchair in an unstable position and cause it to tip. When on any sort of an incline or decline slope, never place the wheelchair in freewheel mode**

# 1. INTRODUCTION & SAFETY

Welcome to Heartway Medical Products Co., Ltd. We truly appreciate your new purchase order on our model HW1/HW1P/HW1J. We are confident that this design features will provide you with the conveniences you expect during your daily activities. Once you understand how to safely operate this product for the first time, its safety and performance will give you years of trouble free operation and service.

## **WARNING:**

Do not operate this product without first reading and understanding the warnings, cautions, and instructions in this manual. If you are unable to understand the warnings, cautions, and instructions, contact with our authorized dealer before attempting to use this equipment – otherwise injury or damage may result.

Read and follow all instructions, warnings, and notes in this manual before attempting to operate this product for the first time. In addition, your safety depends upon you, as well as your provider, caretaker, or healthcare professional in using good judgement.

If you experience any problems with your wheelchair that you are unable to resolve, or if you do not feel capable of safety following any of the instructions and/or recommendations contained in this manual, please contact our authorized dealer for assistance.

## 2. SPECIFICATIONS



<b>MODEL</b>	<b>HW1 &amp; HW1P</b>
<b>WEIGHT CAPACITY</b>	<b>135kgs(300lbs)</b>
<b>FRONT CASTOR</b>	<b>8" x 2"</b>
<b>DRIVE WHEEL</b>	<b>24"</b>
<b>LENGTH</b>	<b>45" (1150mm)</b>
<b>WEIGHT(NW)</b>	<b>36.6KG(18")</b>
<b>WEIGHT(NW)-HW1P</b>	<b>58KG(18")</b>
<b>WIDE</b>	<b>26"(660mm)/27.5" (700 mm) /31.5"(800mm)</b>
<b>HEIGHT</b>	<b>50" ~ 55.8" (1220~ 1420mm)</b>
<b>SEAT WIDTH</b>	<b>16"/18"/22"</b>
<b>SEAT HEIGHT</b>	<b>21" (530mm)</b>
<b>SEAT DEPTH</b>	<b>18" (458mm)</b>
<b>FOOTRESTS</b>	<b>18" (458mm)</b>

# SPRING-HW1J



HW1J Spring

<b>MODEL</b>	<b>HW1J</b>
<b>WEIGHT CAPACITY</b>	<b>100 kgs (220lbs)</b>
<b>FRONT CASTOR</b>	<b>7" X 1.75" (178 mm X 45mm)</b>
<b>DRIVE WHEEL</b>	<b>20" (510mm)</b>
<b>LENGTH</b>	<b>35.0" (890mm)</b>
<b>WEIGHT(NW)</b>	<b>26 kg (57lbs)</b>
<b>WIDTH</b>	<b>23.0" (585mm)</b>
<b>HEIGHT</b>	<b>35" ~ 41" (890mm ~ 1040mm)</b>
<b>SEAT WIDTH</b>	<b>14" (356mm)</b>
<b>SEAT HEIGHT</b>	<b>18" (460 mm)</b>
<b>SEAT DEPTH</b>	<b>13" ~ 16" (330mm ~ 407mm)</b>
<b>FOOTRESTS</b>	<b>14" (356mm)</b>

### 3. HEAD REST, ARM REST & PUSH HANDLE ADJUSTMENT

#### ADJUSTMENT



**Headrest Angle Adjustment**



**Armrest Height Adjustment**



**Headrest Height Adjustment**



**Push Handle Adjustment**

## 4. ELEVATING LEG REST ADJUSTMENT



**Swing Away Function**



**Elevating Function**



# 5. ATTENDANT & MANUAL BRAKE SYSTEM



**Attendant Brake System**



**Manual Brake System**





# 6. Manual & Power Reclining & Tilting Functions

## Manual Tilting(-5°~25° )

Press the LH-brake and force the handle downwards to adjust the angle.



## Manual Reclining (90°~120°)–

Press the RH-brake and force the handle downwards to adjust the angle.



**Power Tilting**– Press the button (2) to adjust the tilting angle.

Button (1)



Button (2)

**Power Reclining**– Press the button (1) to adjust the reclining angle.

# 7. SEALED LEAD ACID BATTERIES USER'S GUID

## 7.1 - Battery Specification:

Battery Specification (20Hr)	Nominal Voltage (V)	Dimensions (mm)			Weight (kg)	Internal Resistance (mΩ)	Max Discharge Current (A)	Max. Charge Current (A)
		L	W	H				
1.3Ah	12	97	43	53	0.6	78	6.5	0.39
2.9Ah	12	79	56	99	1.18	30	58	0.87
4.5Ah	12	90	70	101	1.83	19	125	1.35

### 1. Operation Environment

1.1 Charge: 0°C(32°F) ~ 40°C (104°F)

1.2 Discharge: -15°C(5°F) ~ 50°C (122°F)

1.3 Storage: -15°C(5°F) ~ 40°C (104°F)

### 2. Battery Life

2.1 Standby Usage: 3~5 years (in 2.3Vpc floating charge and 25°C)

2.2 Cycle Usage:

100% discharge: 200 cycles

80% discharge: 225 cycles

50% discharge: 500 cycles

## 7.2 - Battery Power Depletion Chart: Storage Temperature/Time/Capacity Table

Time Temperature	1 Month	2 Month	6 Month	12 Month
0°C~5°C (32° F~41° F)	96%	93%	90%	80%
5°C~20°C (41° F~68° F)	92%	90%	80%	65%
20°C~30°C (68° F~86° F)	90%	80%	65%	50%
30°C~40°C (86° F~104° F)	83%	70%	50%	No Storage

### 7.3 - Battery Charging Guide:

- Remove the connector covers from a battery box to insert DC IN socket indicated at the left side of LAK B box, and then plug in power cord.
- The CPU in the control will automatically detect the battery capacity. If the power capacity is insufficient, it will automatically charge. When fully charged, it will automatically disconnect charging circuit.
- Charging method: With constant voltage 2.4~2.5 v/cell, initial current is below 0.4cA to charge 5 ~ 8 hours.
- Charging voltage: charging voltage 14.4 ~15 .0V (at 25°C(77°F)) for the cycling use floating voltage 13.5 ~13.8 V (at 25 °C(77°F)) for the standby use.
- Open-circuited voltage for fully charged batteries is greater than 12 .9V

### 7.4 – Battery Notice

- Batteries will discharge in storage by itself to reduce the capacity. Therefore, they must be stored at a place with low temperature, dryness, no direct sunlight or fire.
- During the storage period, batteries should be recharged once every months (a place where the environmental temperature is below 25°C).The environmental temperature starts from 25°C with an increase of 10°C. The recharge interval will shorten 1/2, and the speed of self discharge will increase 2 times. The battery capacity can't recover when long-term stored under discharge.
- Stored batteries must be recharged before using (The first charging time needs about 5 ~8 hours.).
- Batteries should be used as early as possible. First in/first out criteria should be followed.
- Batteries will gradually deteriorate in storage. The battery capacity can't recover under the long-term storage even by recharging.
- Avoid overcharge as much as possible, and charge soon after discharging. When battery voltage drops, the machine can't be driven. If there is some capacity left, batteries should be immediately charged after used. If not immediately charged, batteries will degrade early, leading to lead acidification.
- When the insufficient power level sounds, please immediately charge batteries to avoid permanent damage.

## 7.5 Charging the batteries:

- The batteries of the power Tilting and Reclining functions have to be charged on a regular basis. Together with the control unit the batteries are placed at a separate box beneath the seat.
- If the batteries are stored, pay heed to a dry and cool environment, to decelerate the natural discharge process during storage. If the batteries are stored for a long time period, ensure that they are charged once a month, to prevent damaging.
- After the charging process is done, make sure that the recharger cable is attached safely, without dragging on the floor or getting into the wheels.



Warning! Make sure that there is no one sitting in the wheelchair while charging.

- Plug the recharger cable into the power socket.
- A green LED will show readiness for load.
- It is possible to charge the batteries over night, the recharger will automatically disconnect charging circuit, when fully loaded
- Please plug out the recharger cable, after the charging process is done.



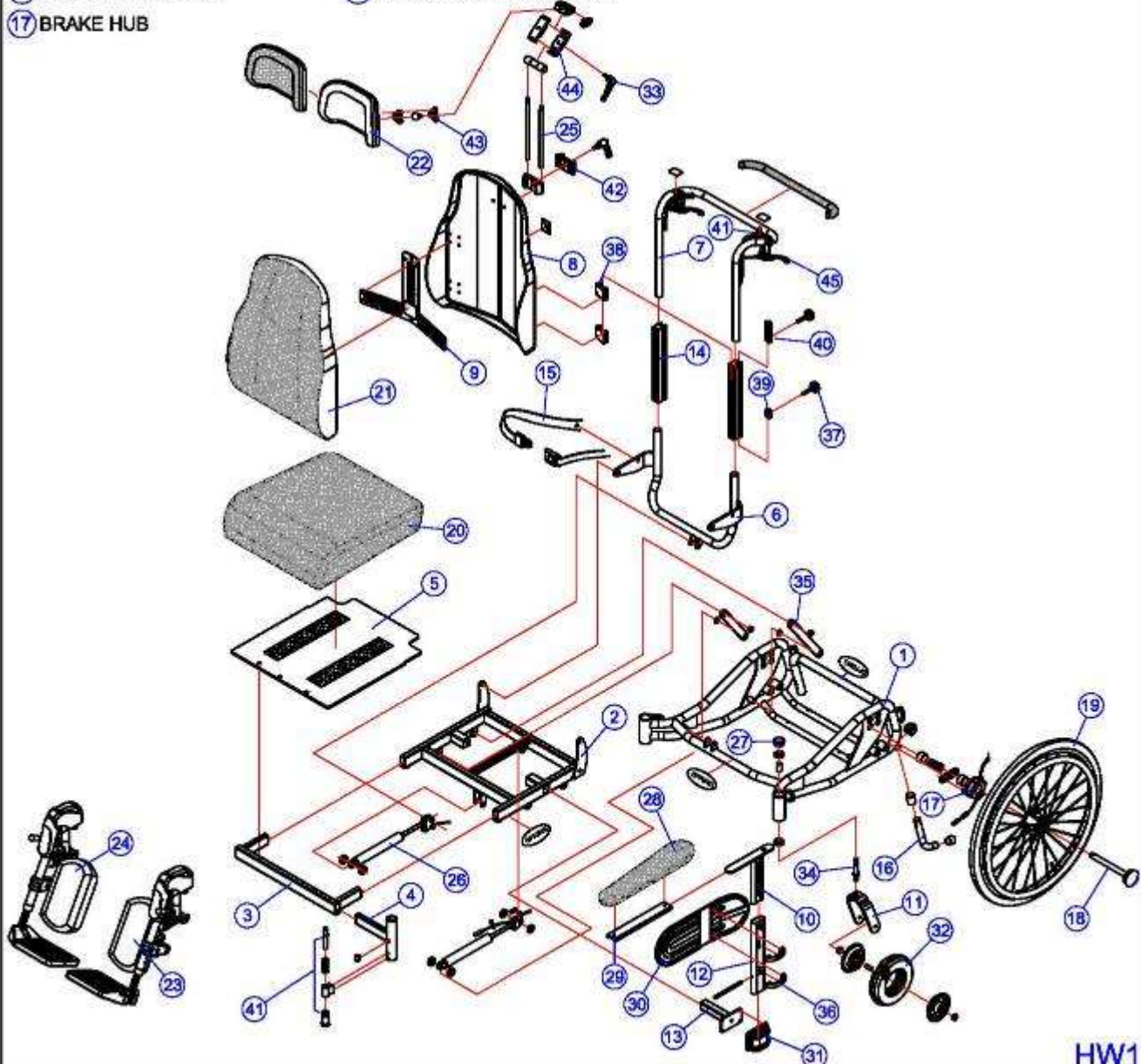
## 7.6 Monitoring the state of charge

- The state of charge is shown by the three LED's on the remote control.
- You can see the state of charge while using the Power Tilting and Reclining functions.
- Green – Fully charged.
- Yellow – Charging is advised.
- Red – Charging is required



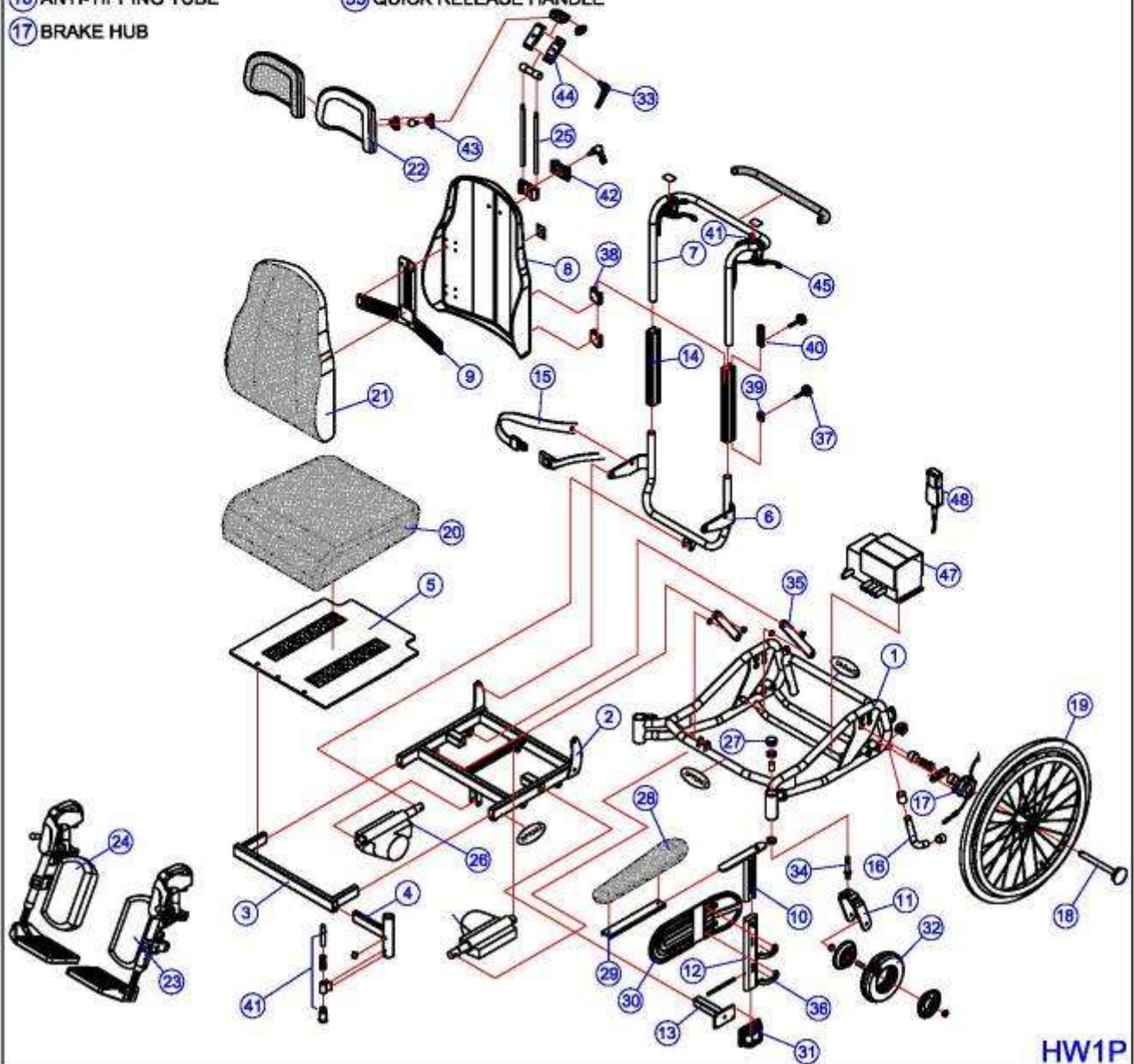
# 8. SPARE PARTS DRAWINGS

- |                            |                               |                           |
|----------------------------|-------------------------------|---------------------------|
| ① WELDED CHASSIS FRAME     | ⑱ QUICK-RELEASE MUSHROOM HEAD | ⑳ STEM                    |
| ② SEAT FRAME               | ⑳ REAR WHEEL ASS'Y            | ㉑ LINKER PLATE            |
| ③ ADJUSTABLE SEAT FRAME    | ㉑ SEATREST PAD                | ㉒ SIDE PANEL BAR          |
| ④ FOOT SUPPORT TUBE        | ㉒ BACKREST PAD                | ㉓ INNER HEXAGON SCREW     |
| ⑤ SEAT BOARD               | ㉓ PU HEADREST                 | ㉔ SIDE PANEL              |
| ⑥ BACK SUPPORT BRACKET     | ㉔ FOOTREST ASSY FOR LEFT      | ㉕ SHORT SLIDE BAR         |
| ⑦ PUSH TUBE                | ㉕ FOOTREST ASSY FOR RIGHT     | ㉖ LONG SLIDE BAR          |
| ⑧ BOARD FOR BACKSEAT       | ㉖ HEADREST SLIDER             | ㉗ BRAKE LEVER             |
| ⑨ BACKSEAT FRAME           | ㉗ HYDRAULIC BRAKE             | ㉘ FRONT SLIDE LOCK        |
| ⑩ ARMSEAT FRAME            | ㉘ PLUG                        | ㉙ HEADREST SOCKET         |
| ⑪ FORK                     | ㉙ ARMREST PAD                 | ㉚ REAR CLAMP FOR HEARREST |
| ⑫ ARMSEAT TUBE             | ㉚ ARMREST BASE                | ㉛ ADJUSTABLE LEVER        |
| ⑬ ARMSEAT SOCKET           | ㉛ SIDE PANEL                  | ㉜ FOOT PLATE FIXING ASS'Y |
| ⑭ ADJUSTABLE BACKSEAT TUBE | ㉜ ARMREST SOCKET              |                           |
| ⑮ PELVIC BELT              | ㉜ 200*50 PU FOAM FILLED TIRE  |                           |
| ⑯ ANTI-TIPPING TUBE        | ㉜ QUICK RELEASE HANDLE        |                           |
| ⑰ BRAKE HUB                |                               |                           |



HW1

- |                            |                               |                            |
|----------------------------|-------------------------------|----------------------------|
| ① WELDED CHASSIS FRAME     | ⑱ QUICK-RELEASE MUSHROOM HEAD | ③④ STEM                    |
| ② SEAT FRAME               | ⑲ REAR WHEEL ASS'Y            | ③⑤ LINKER PLATE            |
| ③ ADJUSTABLE SEAT FRAME    | ⑳ SEATREST PAD                | ③⑥ SIDE PANEL BAR          |
| ④ FOOT SUPPORT TUBE        | ㉑ BACKREST PAD                | ③⑦ INNER HEXAGON SCREW     |
| ⑤ SEAT BOARD               | ㉒ PU HEADREST                 | ③⑧ SIDE PANEL              |
| ⑥ BACK SUPPORT BRACKET     | ㉓ FOOTREST ASSY FOR LEFT      | ③⑨ SHORT SLIDE BAR         |
| ⑦ PUSH TUBE                | ㉔ FOOTREST ASSY FOR RIGHT     | ④⑩ LONG SLIDE BAR          |
| ⑧ BOARD FOR BACKSEAT       | ㉕ HEADREST SLIDER             | ④① BRAKE LEVER             |
| ⑨ BACKSEAT FRAME           | ㉖ LINEAR ACTUATOR             | ④② FRONT SLIDE LOCK        |
| ⑩ ARMSEAT FRAME            | ㉗ PLUG                        | ④③ HEADREST SOCKET         |
| ⑪ FORK                     | ㉘ ARMREST PAD                 | ④④ REAR CLAMP FOR HEADREST |
| ⑫ ARMSEAT TUBE             | ㉙ ARMREST BASE                | ④⑤ ADJUSTABLE LEVER        |
| ⑬ ARMSEAT SOCKET           | ⑳⑩ SIDE PANEL                 | ④⑥ FOOT PLATE FIXING ASS'Y |
| ⑭ ADJUSTABLE BACKSEAT TUBE | ㉑① ARMREST SOCKET             | ④⑦ BATTERY                 |
| ⑮ PELVIC BELT              | ㉒② 200*50 PU FOAM FILLED TIRE | ④⑧ BUTTON BOX              |
| ⑯ ANTI-TIPPING TUBE        | ㉓③ QUICK RELEASE HANDLE       |                            |
| ⑰ BRAKE HUB                |                               |                            |



HW1P

## 9 .MAINTENANCE

Maintenance is an important part of wheelchair ownership. There are two types of maintenance: preventive (routine) and corrective. Preventive maintenance enables you to help extend the life of your wheelchair by catching potential problems before it becomes necessary to correct them. Corrective maintenance is what you must do when your wheelchair needs immediate repair.

### **Preventive maintenance**

In addition to your pre-ride checks, you can pay particular attention to your drive wheels and the overall appearance of your wheelchair. Keep your wheelchair clean. This will help prevent dirt and other contaminants from getting into places where it doesn't belong, like the drive wheel bearings, the frame hinges or the caster bearings. Drive wheel and caster bearings are sealed and do not require lubrication.

We recommend you follow the following maintenance checks:

- Ensure that all parts are securely fastened to your wheelchair
- Check for proper tire inflation
- Check for drive tire and caster tire wear. If they are worn excessively, then replace them. If they appear to have worn unevenly, then contact your authorized dealer before replacing them.
- Check the park brakes. After several months of use, you may find it necessary to adjust the park brake so that they lock securely when engaged. Please see the adjustment section for reference of park brake adjustment methods.
- Check the caster wheel free swivel

To keep your wheelchair clean, use a damp cloth and wipe down. Don't use a hose. This could force moisture into the caster swivel or the drive wheel hub. Always use soapy water on the seat and dry it thoroughly before using.

### **Corrective maintenance**

If you feel that your wheelchair's performance has degraded or is not operating correctly, contact our authorized dealer. All components should be provided by our authorized dealers while the unit is still under warranty. We do not recommend that you remove any parts and send them back for repair without first contacting our authorized dealer.